



Owner's Manual ***Model Number***

700464 Broom adaptor
700505 Broom adaptor
700506 Broom adaptor
700507 Broom adaptor
700508 Broom adaptor
700599 Broom adaptor

BERCO ***Broom adaptor*** For ***SUBFRAME WITH ELECTRIC LIFT***

* ASSEMBLY
* OPERATION

* REPAIR PARTS
* MAINTENANCE

CAUTION:
READ & FOLLOW ALL SAFETY RULES & INSTRUCTIONS BEFORE
OPERATING YOUR EQUIPMENT



LIMITED WARRANTY

Conditions and Products Covered:

BERCOMAC guarantees any part of the product or accessory manufactured by BERCOMAC and found in the reasonable judgment of BERCOMAC to be defective in material and or workmanship will be repaired or replaced by an authorized dealer without charge up to our maximum labor rates and pre-established times. For replacement parts only standard ground freight services are covered. This warranty extends to the original retail purchaser only and is not transferable to any subsequent purchasers. This warranty applies to the products bought and used in North America.

Warranty Period

(from date of the original retail purchase)

- Residential use: 1 year
- Semi-commercial, professional or rental use: 90 days

Exceptions Noted Below; the following items are guaranteed by the original manufacturer and have their own warranty, conditions and limited time:

- Tire Chains: 90 days
- Engines: Will vary as per the manufacturer
Please refer to the engine manufacturer's warranty statement included with the unit. BERCOMAC is not authorized to handle warranty adjustments on engines.

Items and Conditions NOT Covered:

This warranty does not cover the following:

- Pick-up or delivery charges or in-home services fees.
- Any damage or deterioration of the unit, parts and or finish of these due to normal use, wear and tear, or exposure.
- Cost of regular use or maintenance service or parts, such as gas, oil, lubricants, tune-up parts, and adjustments.
- Any part or accessory which has been altered, modified, misused, neglected, accidentally damaged or not properly installed, maintained, stored or repaired not in accordance with the instructions in the owner's manual.
- Repair due to normal wear and or any wear items such as shear pins, bolts, belts, etc.
- Expedited freight fee services for replacement parts.
- Shear bolts and shear pins are to be considered as a preventive measure not as an assured protection, any damages resulting from the lack of shear bolts breakage are not covered.
- Damages due to product being installed on a vehicle other than stipulated in owner's manual.

NOTE: All warranty work must be performed by an authorized dealer using original (manufacturer) replacement parts.

NOTE: Bercomac reserves the right to change or improve the design of any part or accessory without assuming any obligation to modify any product previously manufactured.

Instructions for Obtaining Warranty Services:

Contact dealer where equipment was purchased or any other BERCO service dealer to arrange service at their dealership. Requests for warranty claims must be carried out through the same distribution network used to purchase the product.. Don't forget to bring your proof of purchase (sales receipt) to the BERCOMAC dealer.

Owner's Responsibilities:

BERCOMAC's defective equipment or part must be returned to an authorized dealer within the warranty period for repairs. In the event that defective merchandise must be returned to manufacturer for repairs, freight fees are prepaid and a written authorization from BERCOMAC must be obtained by dealer prior to the shipment. This warranty extends only to equipment operated under normal conditions. To validate a warranty claim, it is the user's responsibility to maintain and service the unit as specified in the owner's manual or to have the unit serviced at their dealer at their expense.

General Conditions:

The sole liability of BERCOMAC with respect to this warranty shall be strictly and exclusively repair and replacement as mentioned herein. BERCOMAC shall not have any liability for any other costs, loss or damage, including but not limited to, any incidental or consequential loss or damage. Taking advantage of the warranty does not in any way extend the length or renewal of the warranty.

In particular, without being limited to, BERCOMAC shall have no liability or responsibility for:

- Travel time, overtime, after hours time or other extraordinary repair charges or relating to repairs and or replacements outside of normal business hours.
- Rental of like or similar replacement equipment during the period of any, repair or replacement work.
- Any communicating or travel charges.
- Loss or damage to person or property other than that covered by the terms of this warranty.
- Any claims for lost revenue, lost profit or any similar costs as a result of damage or repair.
- Attorney's fees.

BERCOMAC's responsibility in respect to claims is limited to making the required repairs or replacement without charge up to our maximum labor rates and pre-established times and no claim of breach of warranty shall be cause for cancellation or rescission of the contract of sale of any product or accessory. In no event recovery of any kind be greater than the amount of the purchase price of the product sold.

This warranty gives you specific legal rights. You may also have other rights, which vary from state to state.

INTRODUCTION

TO THE PURCHASER

This new accessory was carefully designed to give years of dependable service. This manual has been provided to assist in the safe operation and servicing of your attachment.

NOTE: All photographs and illustrations in the manual may not necessarily depict the actual models or attachment, but are intended for reference only and are based on the latest product information available at the time of publication.

Familiarize yourself fully with the safety recommendations and operating procedures before putting the machine to use. Carefully read, understand and follow these recommendations and insist that they be followed by those who will use this attachment.



THIS SAFETY ALERT SYMBOL IDENTIFIES AN IMPORTANT SAFETY MESSAGE IN THIS MANUAL THAT HELPS YOU AND OTHERS AVOID PERSONAL INJURY OR EVEN DEATH. DANGER, WARNING, AND CAUTION ARE SIGNAL WORDS USED TO IDENTIFY THE LEVEL OF HAZARD. HOWEVER, REGARDLESS OF THE HAZARD, BE EXTREMELY CAREFUL.

DANGER: Signals an extreme hazard that will cause serious injury or death if recommended precautions are not followed.

WARNING: Signals a hazard that may cause serious injury or death if the recommended precautions are not followed.

CAUTION: Signals a hazard that may cause minor or moderate injury if the recommended precautions are not followed.

Record your attachment serial number and purchase date in the section reserved below (there is no serial number on the subframe). Your dealer requires this information to give you prompt, efficient service when ordering replacement parts. Use only genuine parts when replacements are required.

If warranty repairs are required please present this registration booklet and original sales invoice to your selling dealer for warranty service.

This manual should be kept for future reference.

Please check if you have received all the parts for your kit with the list of the bag and the list of the box.

SERIAL NUMBER : _____
(IF APPLICABLE)

MODEL NUMBER: _____

PURCHASE DATE : _____

ASSEMBLY

Please follow these adaptor installation instructions on the Rotary Broom. For all other instructions see the Owner's Manual for the Subframe and the Rotary Broom for all safety precautions and rules.

Refer to parts breakdown for part identification

ROTARY BROOM ADAPTOR INSTALLATION:

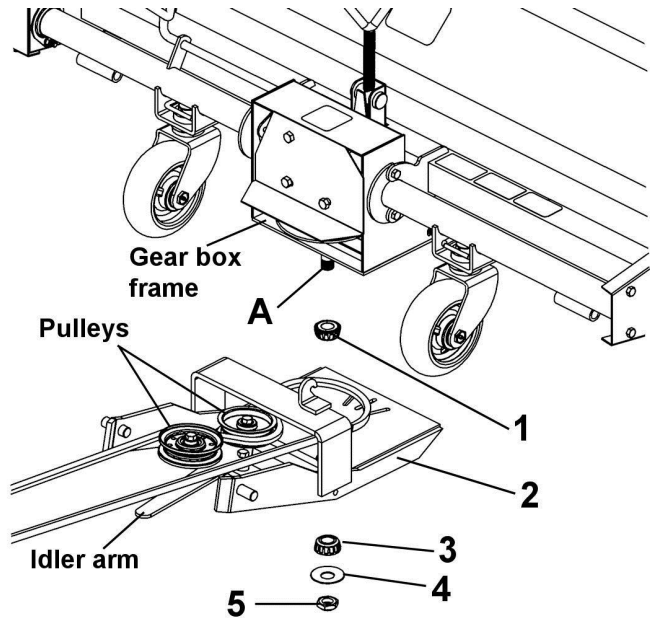
Install broom adaptor on the rotary broom.		
Item #	Description	Action
1	Cone bearing	Install on the shaft (item A).*
2	Push frame	Install on the gear box frame.
3	Cone bearing	Install on the shaft under the push frame.*
4	Seal washer	Place over the bottom cone bearing (hollow portion towards the top).
5	Nylon insert lock nut 3/4"	Tighten loosely enough to allow the push frame to move freely.

* Fill the space between the bearings with grease.

DANGER

NEVER OPERATE THE ROTARY BROOM WITHOUT:

Brush hood
Gear box guard
Extension guard and any other safety protection devices in place.



Install broom adaptor

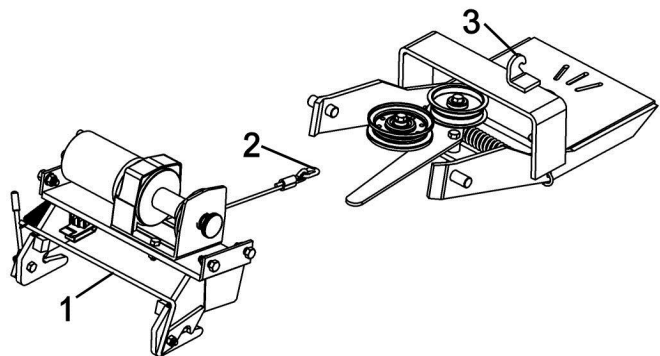
ROTARY BROOM INSTALLATION:

Attach the rotary broom to the subframe as shown.

Make sure the rotary broom is pushed in until locked into place by the lock (item 1).
Hook the winch cable (item 2) to the hook (item 3).

NOTE: The winch cable must unroll itself from the bottom of the drum.

Familiarize yourself with the winch control.
Lift and lower the rotary broom using the switch.



Install broom

ASSEMBLY



WARNING



BEFORE MAKING ANY ADJUSTMENTS:
 Stop the motor.
 Apply parking brakes.
 Remove the ignition key.
 Disconnect the wire from the spark plug(s) and keep away from spark plug(s) to prevent accidental starting.



DANGER

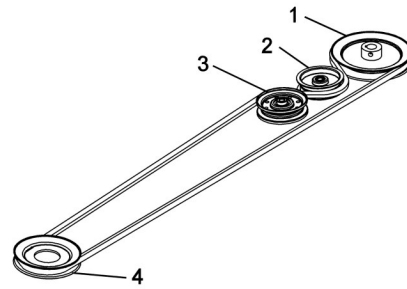


NEVER OPERATE THE ROTARY BROOM WITHOUT:

Brush hood
 Gear box guard
 Extension guard and any other safety protection devices in place.

BELT INSTALLATION

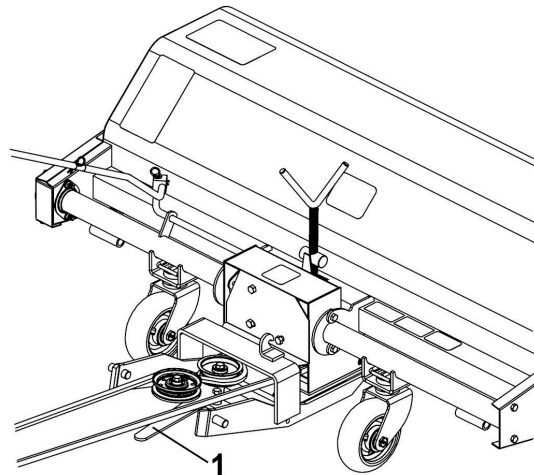
Install the belt on the drive mechanism pulley.
 Make sure the belt is routed as shown.



Install the belt

- | | |
|-----------------|---------------------------|
| 1. Broom pulley | 3. Flat pulley |
| 2. Idler | 4. Drive mechanism pulley |

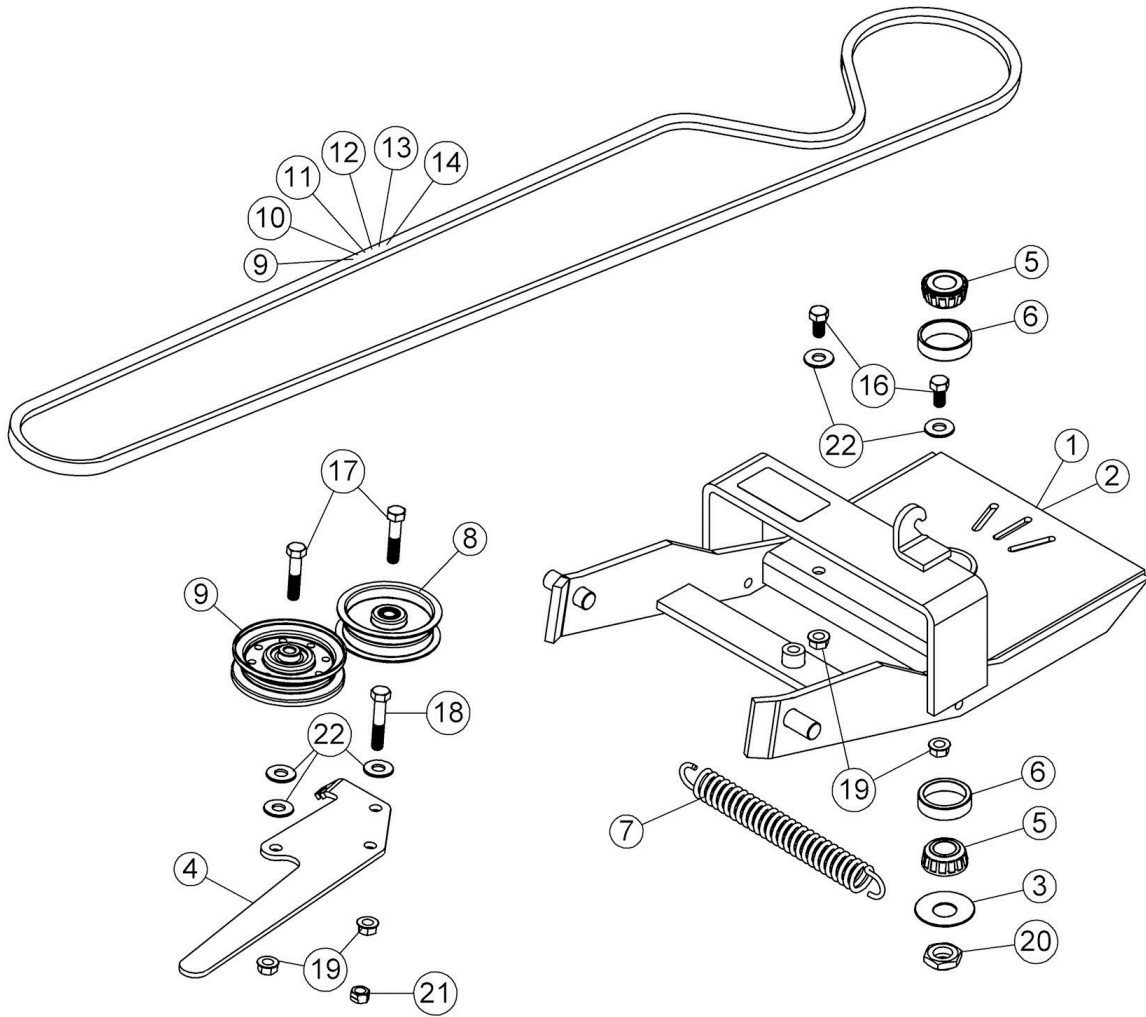
NOTE: Push the handle of the idler arm (item 1) toward the right to release tension on the belt and install belt on the tension pulleys.
 Then install belt on the broom pulley as shown .



**PLEASE TAKE NOTE THAT THERE IS ONLY ONE PUSH FRAME AND ONE BELT IN THIS KIT.
 PLEASE IDENTIFY THEM AMONG THIS LIST FOR FUTURE REFERENCE.**

BROOM ADAPTOR	WITH PUSH FRAME	FOR SUBFRAME	REQUIRED BELT
700464	105159	700457-700722	104580 (A-101)
700505	105159	700486	104290 (A-120)
700505	105159	700489	104290 (A-120)
700506	105159	700469	105214 (A-113)
700507	105159	700490-700527	102884 (A-107)
700508	105159	700501	103021 (A-96)
700599	106528	700568	106040 (A-97)

PARTS BREAKDOWN BROOM ADAPTOR



PARTS LIST BROOM ADAPTOR

Ref. Réf.	English description	Description française	Qty. Qté.	Part # Pièce #
1	Push frame	Châssis de poussée	1	105159
2	Push frame	Châssis de poussée	1	106528
3	Seal washer	Rondelle d'étanchéité	1	102289
4	Idler arm	Bras de tension	1	104365
5	Cone bearing	Roulement conique	2	102369
6	Cup for bearing	Cuvette	2	102370
7	Spring	Ressort	1	102861
8	Flat pulley	Poulie plate	1	102839
9	Idler	Poulie	1	103044
9	V-belt, A-101	Courroie en V, A-101	1	104580
11	V-belt, A-120	Courroie en V, A-120	1	104290
12	V-belt, A-113	Courroie en V, A-113	1	105214
13	V-belt, A-107	Courroie en V, A-107	1	102884
14	V-belt, A-96	Courroie en V, A-96	1	103021
15	V-belt, A-97	Courroie en V, A-97	1	106040
16	Hex. bolt 3/8" n.c. x 3/4"	Boulon hex. 3/8" n.c. x 3/4"	2	O/L
17	Hex. bolt 3/8" n.c. x 1 3/4"	Boulon hex. 3/8" n.c. x 1 3/4"	2	O/L
18	Hex. bolt 3/8" n.c. x 2"	Boulon hex. 3/8" n.c. x 2"	1	O/L
19	Flange nut 3/8" n.c.	Écrou à bride 3/8" n.c.	4	O/L
20	Nylon insert lock nut 3/4" n.c. (thin)	Écrou à garniture de nylon 3/4" n.c.(mince)	1	O/L
21	Stover lock nut 3/8" n.c.	Écrou de blocage 3/8" n.c.	1	O/L
22	Flat washer 7/16" hole	Rondelle plate 7/16" trou	5	O/L
23	Model number	Numéro de modèle	1	REF

O/L = Obtain Locally



***WHEN PERFORMANCE
& DEPENDABILITY
ARE NON NEGOTIABLE!***

**Bercomac Limitée
92, Fortin North, Adstock, Quebec, Canada, G0N 1S0**

WWW.BERCOMAC.COM

PRINTED IN CANADA

(ORIGINAL NOTICE)